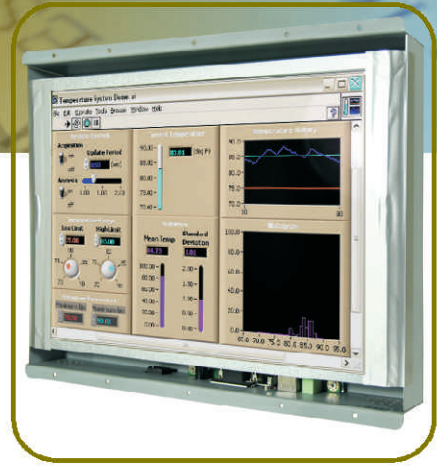


# Open Frame LCD

## Open Frame LCD



### 12.1"

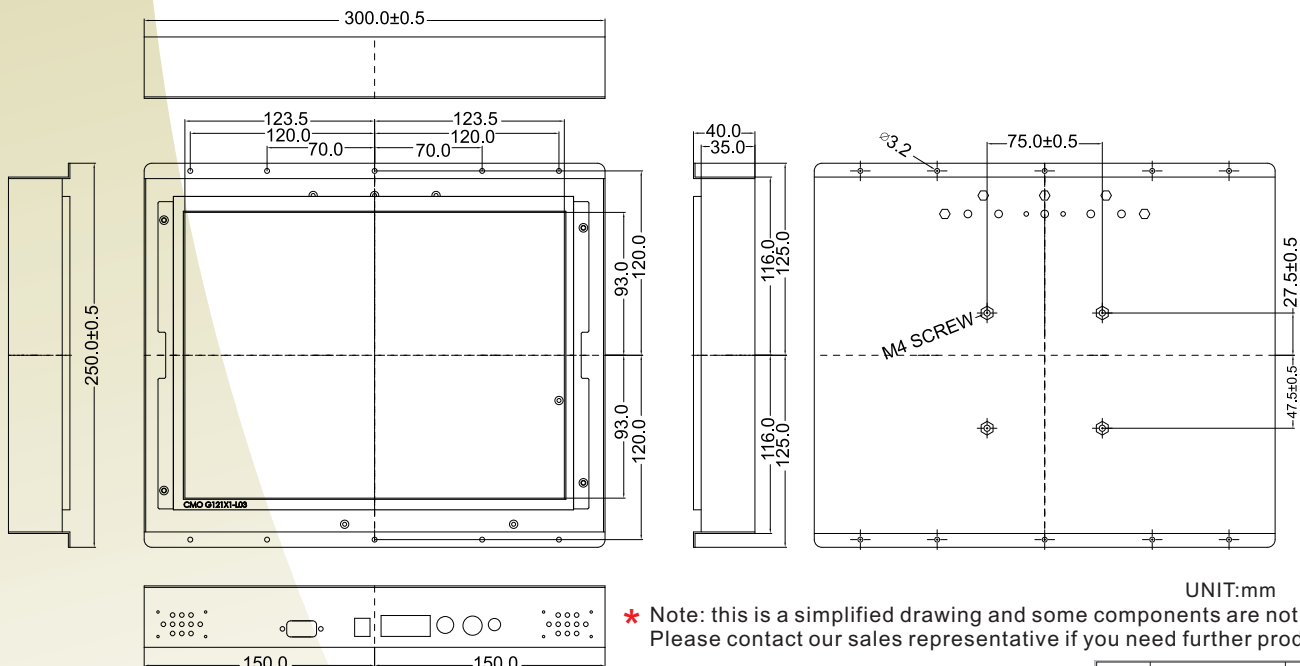
#### Specifications

**RoHS**  
COMPLIANT  
2002/95/EC

Model Name	R12L600-OFM2
Viewable Size Image Active	12.1"
Display Area(mm) Pixel	245.76(H)x184.32(V)
Pitch(mm)	0.240(H)x0.240(V)(typ.)
Number of Pixels Contrast	1024x768
Ratio	700:1(typ.)
Display Color	262,144(6bit/colors)
Brightness(cd/m <sup>2</sup> ) Viewing	500(typ.)
Angle(CR>=10)	-80~80(H);-70~70(V)
Synchronization Range	
Horizontal/Vertical	31.5~60.0KHz/60~75Hz
Recommended Resolution	1024x768@60Hz, 75Hz
Signal Connector	15 pin D-Sub
Power Source	12V DC in, with External AC to DC Adapter (100~240V AC)
Power Consumption	20W typical, normal operation
Power Management	VESA DPMS Compliant
Plug & Play	VESA DDC 1/2B
Optional Video Input	S-Video, Composite
Optional DVI Input	No
Optional Touch Screen	Resistive, Capacitive, SAW,IR

Remarks:R12L600 series= VGA input only  
R12L630 series= VGA+Video Input

#### Mechanical Drawing



Rev.	Reasons	Revised Date
1.3	Spec change	Nov-14-12
1.4	Pic change	Mar-12-13
1.5	Pic change	Jul-16-13